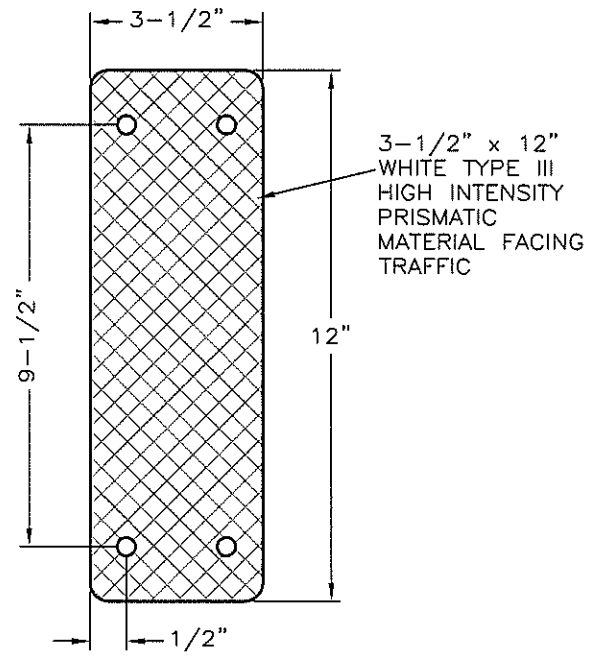
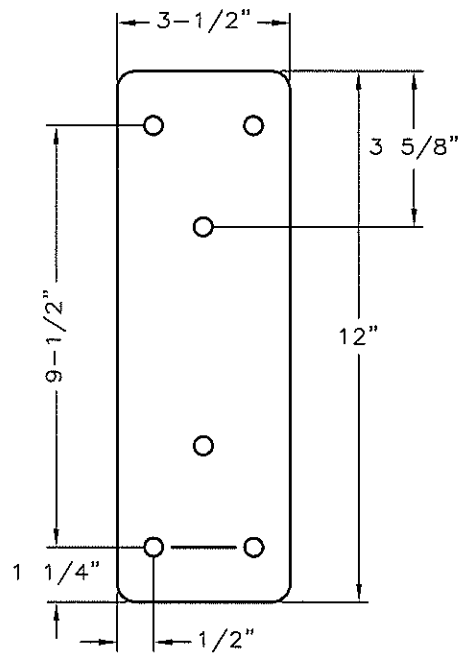


METAL POST
WITHOUT CURB &
GUTTER

TYPICAL INSTALLATION



METAL POST REFLECTOR

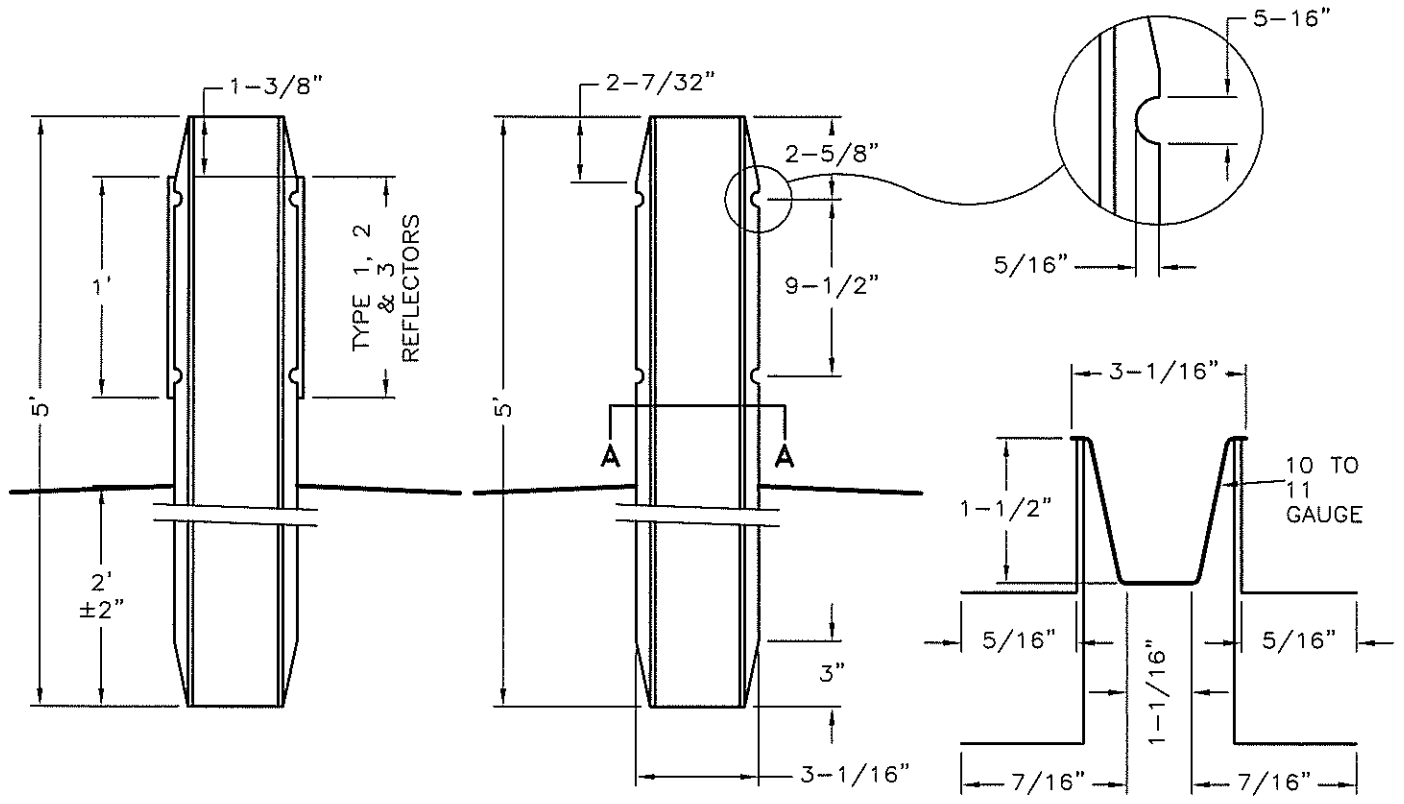


METAL PLATE W/0.38" HOLES

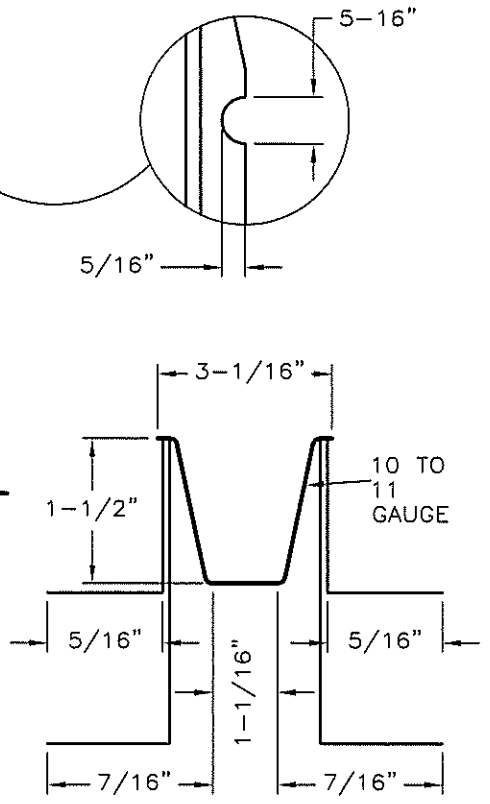
NOTES:

1. TYPE OF REFLECTORS ACCORDING TO LOCATION. COLOR TO MATCH ADJACENT EDGE LINE.
2. 11 GAUGE POST.

NO.			REVISION			DATE			STANDARD DETAIL FOR PUBLIC WORKS CONSTRUCTION			SECTION: DOUGLAS COUNTY		
									GUIDE POST			DATE: JULY 2017		
												DWG: A19		



METAL POST DETAILS



SECTION A-A

APPROXIMATE SPACING FOR DELINEATORS ON HORIZONTAL CURVES

RADIUS (R) OF CURVE	APPROXIMATE SPACING (S) ON CURVE
50 FEET	20 FEET
115 FEET	25 FEET
180 FEET	35 FEET
250 FEET	40 FEET
300 FEET	50 FEET
400 FEET	55 FEET
500 FEET	65 FEET
600 FEET	70 FEET
700 FEET	75 FEET
800 FEET	80 FEET
900 FEET	85 FEET
1000 FEET	90 FEET

NOTES:

1. SPACING FOR SPECIFIC RADII MAY BE INTERPOLATED FROM TABLE.
2. THE MINIMUM SPACING SHOULD BE 20 FEET.
3. THE SPACING ON CURVES SHOULD NOT EXCEED 300 FEET.
4. IN ADVANCE OF OR BEYOND A CURVE, AND PROCEEDING AWAY FROM THE END OF THE CURVE, THE SPACING OF THE FIRST DELINEATOR IS 2S, THE SECOND 3S, AND THE THIRD 6S, BUT NOT TO EXCEED 300 FEET.
5. S REFERS TO THE DELINEATOR SPACING FOR SPECIFIC RADII COMPUTED FROM THE FORMULA $S=3\sqrt{R-50}$.
6. THE DISTANCES FOR S SHOWN IN THE TABLE ABOVE WERE ROUNDED TO THE NEAREST 5 FEET.
7. DELINEATORS ARE NOT REQUIRED FOR LOCAL URBAN ROADWAYS.
8. MAXIMUM SPACING ON TANGENTS IS 530 FEET.
9. REFER TO THE CURRENT EDITION OF THE MUTCD FOR ADDITIONAL GUIDANCE.

NO.			REVISION			DATE			STANDARD DETAIL FOR PUBLIC WORKS CONSTRUCTION			SECTION: DOUGLAS COUNTY		
									GUIDE POST			DATE: JULY 2017		
												DWG: A19		