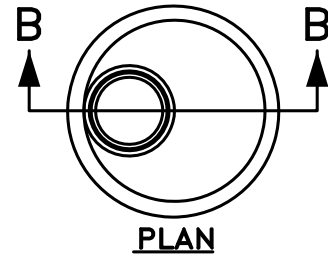
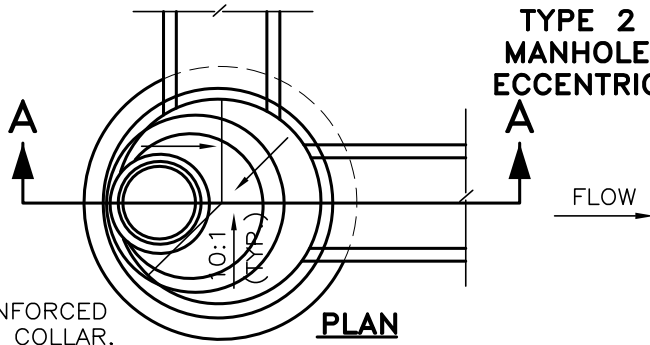


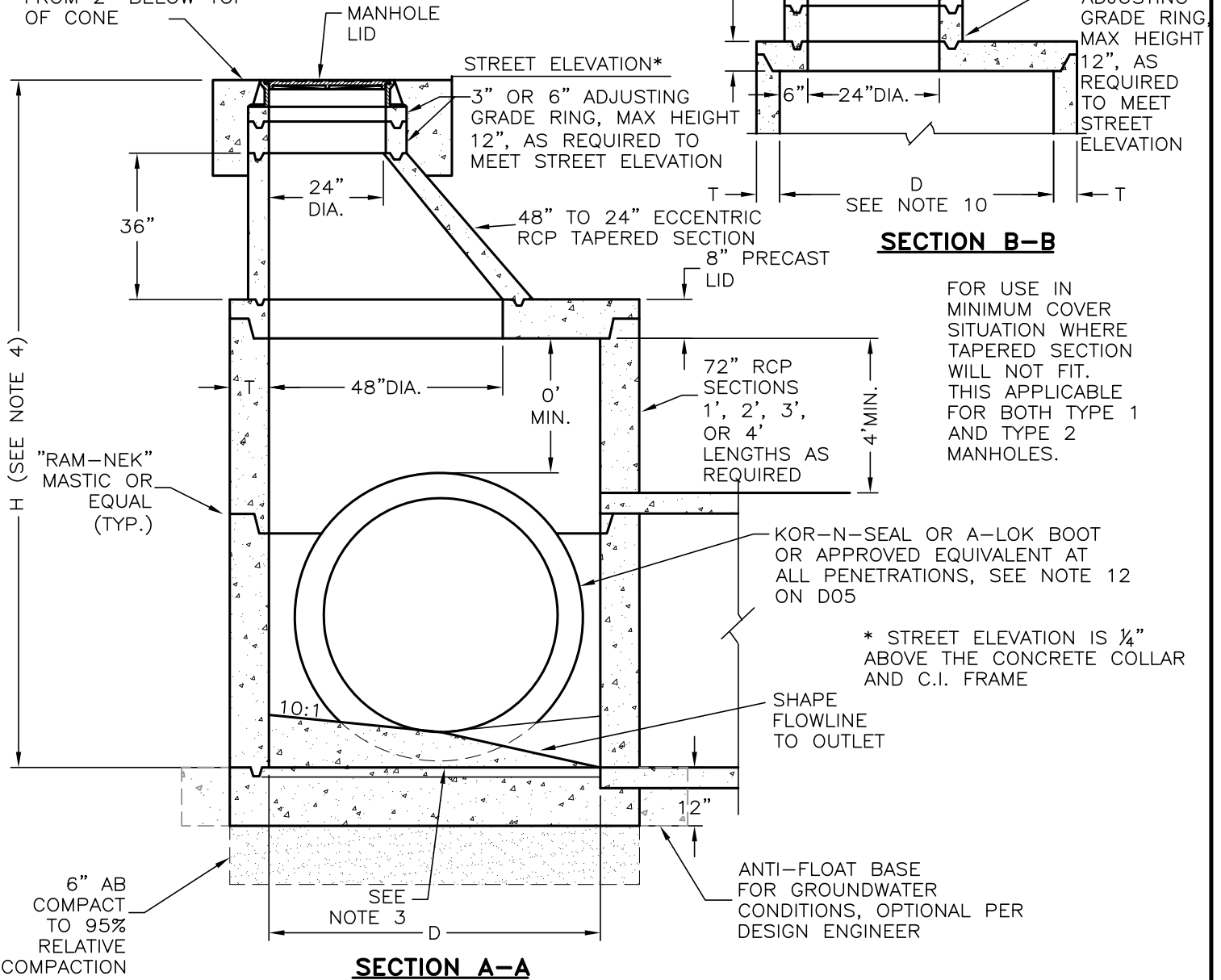
**TYPE 2  
MANHOLE  
ECCENTRIC**



**PLAN**

FIBER REINFORCED  
CONCRETE COLLAR,  
FROM 2" BELOW TOP  
OF CONE

**PLAN**



**SECTION B-B**

FOR USE IN  
MINIMUM COVER  
SITUATION WHERE  
TAPERED SECTION  
WILL NOT FIT.  
THIS APPLICABLE  
FOR BOTH TYPE 1  
AND TYPE 2  
MANHOLES.

KOR-N-SEAL OR A-LOK BOOT  
OR APPROVED EQUIVALENT AT  
ALL PENETRATIONS, SEE NOTE 12  
ON D05

\* STREET ELEVATION IS 1/4"  
ABOVE THE CONCRETE COLLAR  
AND C.I. FRAME

SHAPE  
FLOWLINE  
TO OUTLET

ANTI-FLOAT BASE  
FOR GROUNDWATER  
CONDITIONS, OPTIONAL PER  
DESIGN ENGINEER

**SECTION A-A**

D = 6'-0" FOR  
30" TO 48" STORM  
DRAIN PIPE

**SEE MANHOLE NOTES  
ON D05**

NO.	REVISION	DATE	STANDARD DETAIL FOR PUBLIC WORKS CONSTRUCTION	SECTION: <b>DOUGLAS COUNTY</b>
			<b>MANHOLES FOR 30" - 48"</b>	DATE: <b>JULY 2017</b>
				DWG: <b>D04</b>