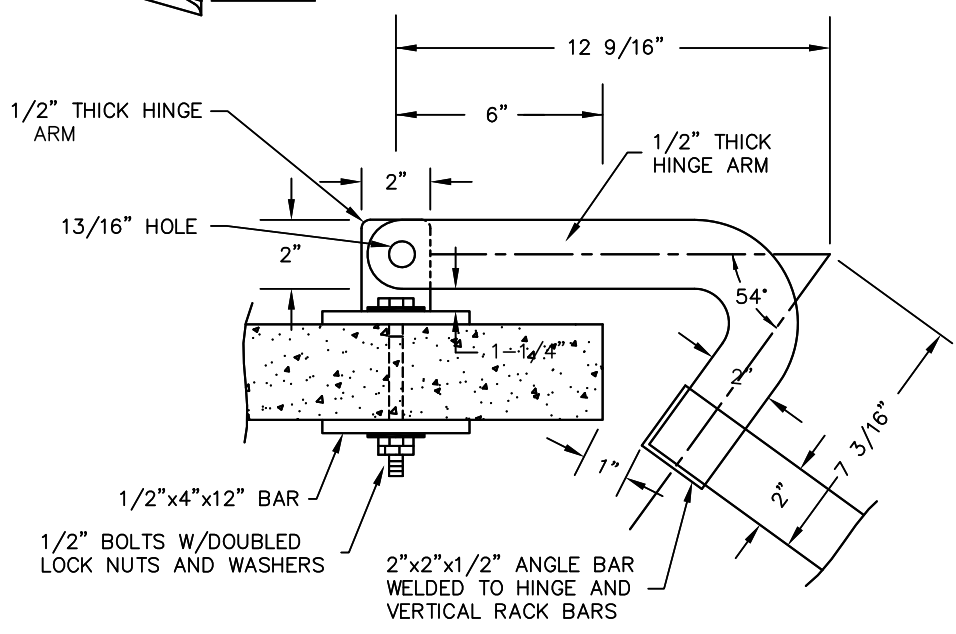


NOTE: ALL STEEL ASTM A-36.
ALL WELDS TO BE 1/4" FILLET WELDS ALL AROUND.



DETAIL A

NO.			REVISION			DATE			STANDARD DETAIL FOR PUBLIC WORKS CONSTRUCTION			SECTION: DOUGLAS COUNTY		
									<h1>TRASH RACK</h1>			DATE: JULY 2017		
												DWG: D08		