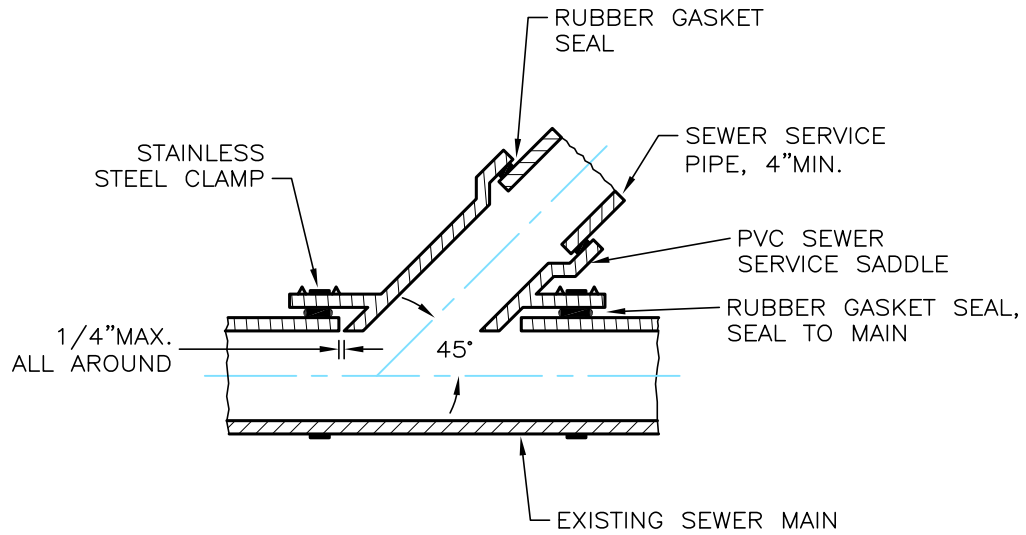


**FRONT VIEW**



**SIDE VIEW**

**NOTES:**

1. TYPE OF SERVICE SADDLE PER SEWER UTILITY APPROVAL.
2. THIS DETAIL IS ONLY APPLICABLE WHEN CONNECTING TO AN EXISTING MAIN.

NO.	REVISION	DATE	STANDARD DETAIL FOR PUBLIC WORKS CONSTRUCTION	SECTION: <b>DOUGLAS COUNTY</b>
			<b>SEWER SERVICE SADDLE</b>	DATE: <b>JULY 2017</b>
				DWG: <b>C08</b>