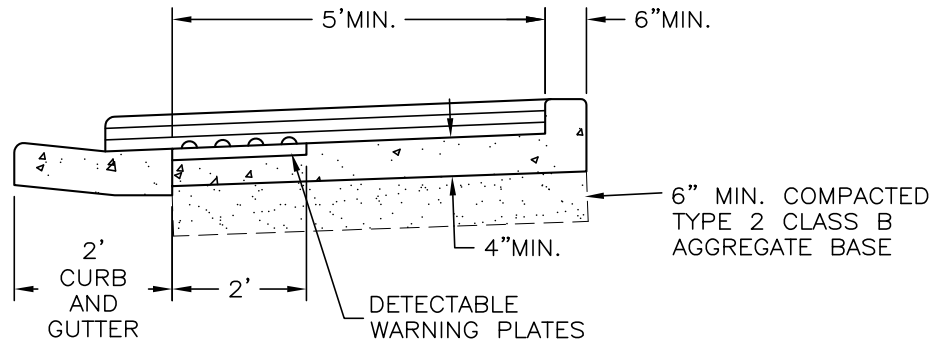


A ←

PLAN
NTS



SECTION A-A
NTS

NOTES:

1. RETAINING CURB TO BE USED IN ALL CASES. MAINTAIN SLOPE OF SIDEWALK OUTSIDE OF CURB RAMP.
2. SEE "CURB RAMP GENERAL NOTES" DETAIL A07-E FOR FURTHER REQUIREMENTS.

NO.	REVISION	DATE	STANDARD DETAIL FOR PUBLIC WORKS CONSTRUCTION	SECTION: DOUGLAS COUNTY
			MID-BLOCK CURB RAMP WITH ATTACHED SIDEWALK	DATE: JULY 2017
				DWG: A07-B