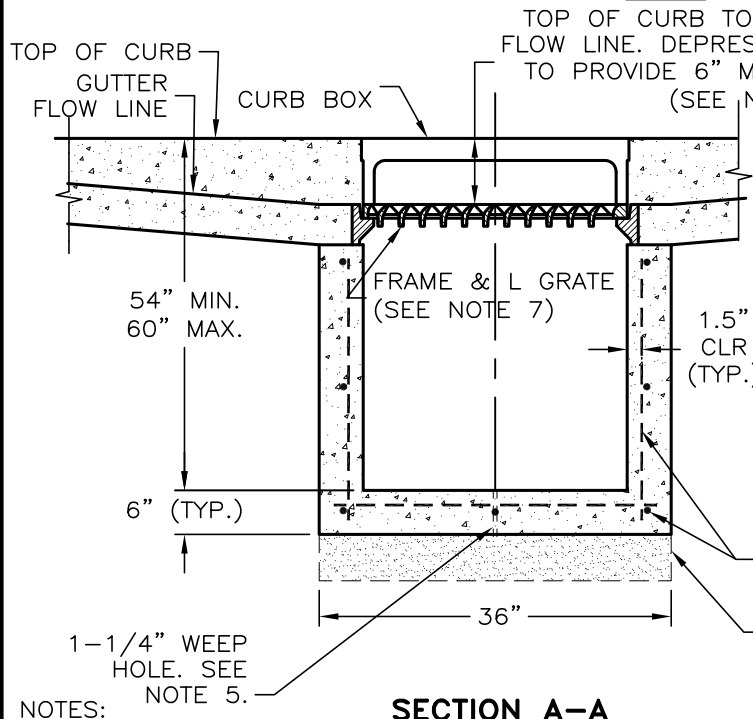
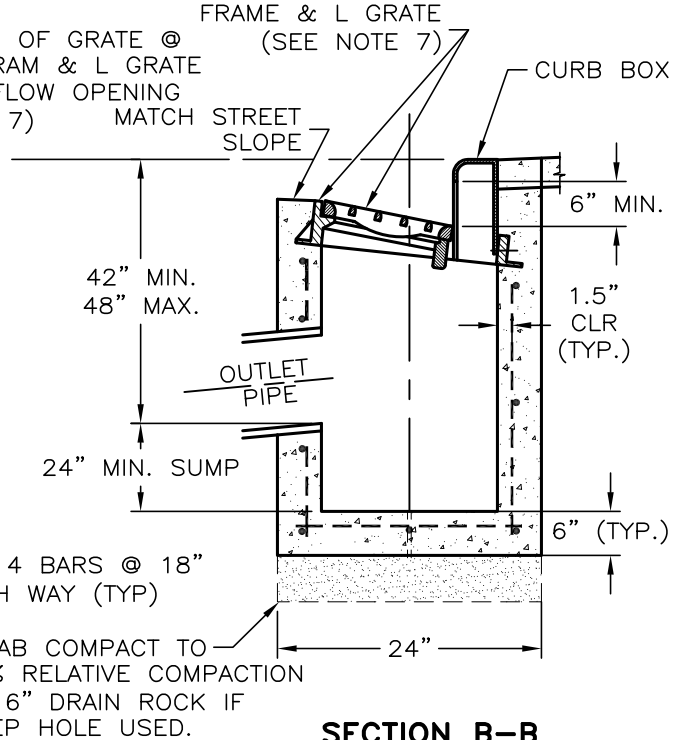


PLAN



SECTION A-A



SECTION B-B

NOTES:

1. SUBGRADE SHALL BE COMPACTED IN CONFORMANCE WITH SECTION 302 OF THE STANDARD SPECIFICATIONS FOR PUBLIC WORKS CONSTRUCTION.
2. A MINIMUM OF 6-INCHES OF GRADED BEDDING MATERIAL AS DESCRIBED IN "TYPICAL STORM DRAIN TRENCH" DETAIL D01 SHALL BE CONSTRUCTED.
3. CONCRETE BOX SHALL BE DESIGNED FOR H-20 TRAFFIC LOAD.
4. IF FRAME AND GRATE EXTEND BEYOND LIP OF GUTTER, PROVIDE 8-INCH THICK CONCRETE APRON.
5. IF SOILS AND GROUNDWATER DEPTH WILL ALLOW, DRILL 1-1/4" WEEP HOLE AT BOTTOM OF INLET TO ALLOW WATER TO INFILTRATE INTO SOIL.
6. IF NO SIDEWALK IS PRESENT, POUR 6-INCH CONCRETE CURB STRUCTURE BEHIND GRATE AND TIE BEAM INTO BOX.
7. TILT FRAME & GRATE AS REQUIRED TO ATTAIN 6-INCH MINIMUM FLOW OPENING AND INSTALL DURABLE SHIMS BETWEEN THE CURB BOX AND FRAME AS REQUIRED TO MATCH CURB BOX TO TOP OF CURB AND FACE OF CURB (SEE SECTION B-B).

NO.			REVISION			DATE			STANDARD DETAIL FOR PUBLIC WORKS CONSTRUCTION			SECTION: DOUGLAS COUNTY		
<h1 style="margin: 0;">TYPE 4R CURB INLET AND GRATE</h1>									DATE:			JULY 2017		
									DWG:			D06		