

FIBER REINFORCED CONCRETE COLLAR FULL DEPTH

MANHOLE LID (SEE TEMPORARY COVER DETAIL A13)

STREET ELEVATION*

3" OR 6" ADJUSTING GRADE RING, MAX HEIGHT 12", AS REQUIRED TO MEET STREET ELEVATION

48" TO 24" ECCENTRIC RCP TAPERED SECTION

48" RCP SECTIONS 1', 2', 3', OR 4' LENGTHS AS REQUIRED

"RAM-NEK" MASTIC GASKET OR EQUAL (TYP.)

KOR-N-SEAL OR A-LOK BOOT OR APPROVED EQUIVALENT AT ALL PENETRATIONS

SEE NOTE 3

SHAPE FLOWLINE TO OUTLET

ANTI-FLOAT BASE FOR GROUNDWATER CONDITIONS, OPTIONAL PER DESIGN ENGINEER

H (SEE NOTE 4)

36"

24" DIA.

12"

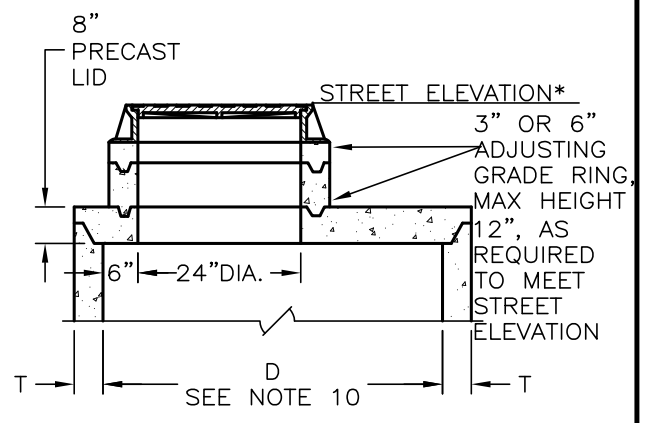
SECTION A-A

TYPE 1 MANHOLE ECCENTRIC

6" AB COMPACT TO 95% RELATIVE COMPACTION

D = 4'-0" FOR 15" TO 24" STORM DRAIN PIPE

SEE MANHOLE NOTES ON D05



FOR USE IN MINIMUM COVER SITUATION WHERE TAPERED SECTION WILL NOT FIT. THIS APPLICABLE FOR BOTH TYPE 1 AND TYPE 2 MANHOLES.

* STREET SECTION IS 1/4" ABOVE CONCRETE COLLAR AND C.I. FRAME.

NO.	REVISION	DATE	STANDARD DETAIL FOR PUBLIC WORKS CONSTRUCTION	SECTION: DOUGLAS COUNTY
			MANHOLES FOR 15" - 24"	DATE: JULY 2017
				DWG: D03